



**Built-in fridge-freezer with bottom freezer compartment, 157.8 x 55.8 cm  
5CC377FE1**

**Performance and consumption**

- Energy efficiency class: E
- Usable capacity total: 231 l
- Useful capacity refrigerator compartments: 169 l
- Useful capacity freezer compartments: 62 l
- Useful capacity 4-star freezer compartment: 62 l
- Freezing capacity in 24 hours: 5.0 kg
- Energy consumption / year: 207 kWh/a
- Climate class: SN-ST
- SuperFreezing: yes
- Noise efficiency class / noise value: C / 36 dB
- Storage time in case of malfunction: 12 h
- Based on the results of the standard test over 24 h. Actual consumption depends on use/location of the appliance.

**Design**

- Flat hinge
  - Easy to clean, bright interior
  - LED lighting
- Comfort and safety
- Electronic temperature control readable via LED
  - 1 compressor /1 refrigeration circuit
  - Automatic defrost in the refrigerator compartment
  - Super freezing with automatic freezing function
- Refrigerator compartment
- 4 safety glass shelves, 3 of which are height-adjustable
  - 4 door shelves
  - LED lighting
- Freshness preservation system
- Transparent vegetable container with corrugated base

**Freezer compartment**

- 2 frozen food drawers

**Technical information**

- Connected load: Connected load: 90 W
  - 220 - 240 V
  - Door hinge right, exchangeable
- Dimensions
- Niche dimensions ( H x W x D ): 158.0 cm x 56.0 cm x 55.0 cm
  - Appliance dimensions ( H x W x D): 157.8 cm x 55.8 cm x 54.5 cm

EAN-Nr.:  
4251003108293

**Accessories**

3 x egg tray, 1 x ice cube tray

**Special accessories**

- KSZ10020 Bottle rack

**Available colour variants**

**Technical data**

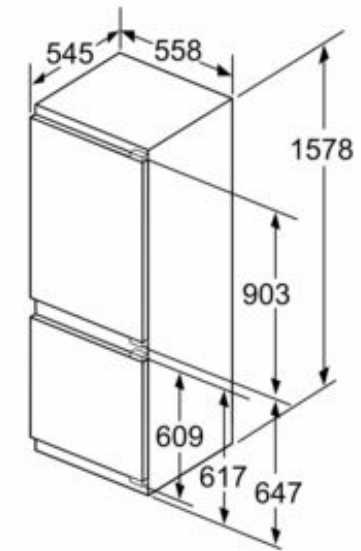
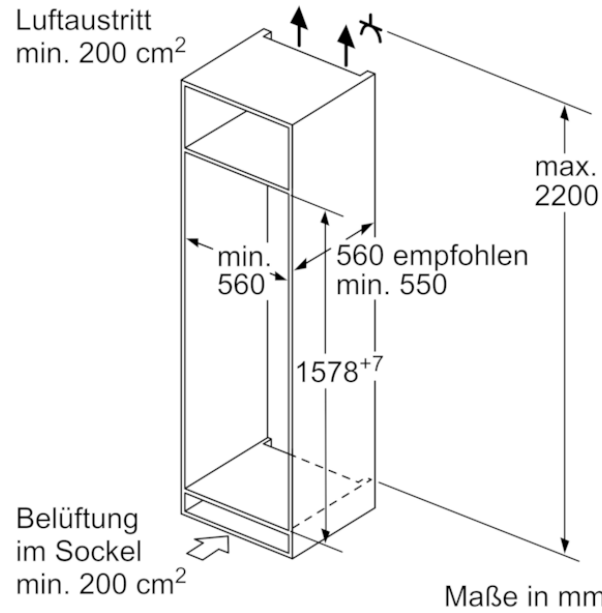
**Equipment features**

Construction : Built-in  
 Number of compressors : 1  
 Number of independent cooling circuits : 1  
 Unit width (mm) : 558  
 Unit depth (mm) : 545  
 Net weight (kg) : 53.980  
 Niche dimensions (H x W x D) (mm) : 1580 x 560 x 550  
 Decorative frame/panel : Not possible  
 Door hinge : Exchangeable on the right  
 Number of adjustable shelves in the refrigerator section (pcs.) : 3  
 Bottle racks : No  
 Frostfree system : No  
 Interior fan : No  
 Hinges exchangeable : Yes  
 Length of connection cable (cm) : 230  
 Sound power level (dB(A) r 1 pW) : 36  
 Multi-flow air tower : No  
 Super cool button : No  
 Superfrost button : Yes  
 Temperature controlled drawer : No  
 Humidity control drawer : No  
 Number of Door Bins - Refrigerator : 5  
 Door Adjustment - Refrigeration : No  
 Tilt-out door bins in fridge : Yes  
 Gallon Storage : Yes  
 Number of Storage Capacity : 1 Motorised Shelf : No  
 Door open display freezer compartment : No  
 Drawers with telescopic rails : None  
 Automatic ice maker : No  
 Connected load (W) : 90  
 Fuse rating (A) : 10  
 Voltage (V) : 220-240  
 Frequency (Hz) : 50  
 Power failure storage (h) : 12  
 Approval certificates : CE, VDE  
 Appliance colour : Not applicable  
 Decorative frame/panel : Not possible  
 Sound power level (dB(A) re 1 pW) : 36  
 Energy Star Qualified : No  
 Approval certificates : CE, VDE  
 Plug type : Schuko/Gardy.w.earth  
 Dimensions of packed appliance (in) : 64.96 x 24.40 x 25.19  
 Net weight (lbs) : 119,000  
 Gross weight (lbs) : 130,000

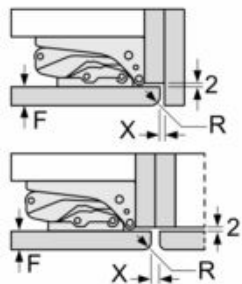
Built-in fridge-freezer with bottom freezer compartment, 157.8 x 55.8 cm  
5CC377FE1



Luftaustritt  
min. 200 cm<sup>2</sup>

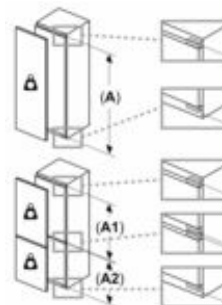


Maße in mm  
Empfehlung Spaltmaße für Flachscharnier



F	R	X
16-19	0-3	2,5
20	0-1	3
	2-3	2,5
21	0-1	3
	2-3	2,5
22	0	4
	1	3,5
	2-3	3

Die in der Tabelle empfohlenen Spaltmasse sind einzuhalten, um eine kollisionsfreie Öffnung der Gerätetüre zu gewährleisten und Beschädigungen am Küchenmöbel zu vermeiden.

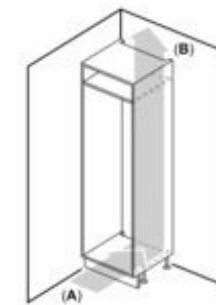


Maximal zulässiges Gewicht der Möbelfronten

Montierte Möbelfronten, die das zulässige Gewicht überschreiten, können zu Beschädigungen und zu Funktionsbeeinträchtigungen der Scharniere führen

- Δ: Gewicht
- A: Gerätehöhe inklusive Scharniere in mm
- B: Ungedämpftes Scharnier, Möbelfront in kg
- C: Gedämpftes Scharnier, Möbelfront in kg
- D: Zusätzliche mögliche Last in kg mit Schwerlastsatz

A	B	C	D
1500-1750	22	22	B+5 / C+5
720-1400	19	19	
A1	15	19	
A2	15	19	



- A: Air inlet ≥ 200 cm<sup>2</sup>; Ventilation options
- B: Air outlet ≥ 200 cm<sup>2</sup>; Ventilation options

