



5GB31150AU
30 cm, self-sufficient gas hob, glas black

Equipment:

- one-handed operated electric spark ignition
- type of knobs: round front control knob
- pot carrier: cast iron

Performance and size:

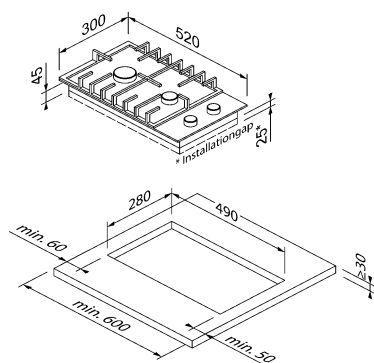
- Connected load gas: 5,35 kW
- 2 steplessly adjustable gas cooking plates
- 1 strong, 1 normal burner
- Front: Standard burner 1,75 kW
- Back : Standard burner 3,6 kW

Environment and safety:

- Thermoelectric ignition fuse (protection against unintentional escape of gas)
- Preset to natural gas (20mbar)

Dimensions:

- Installation dimensions: (H/W/D) 45mm x 280mm x 490mm
- Device dimensions: (H/W/D) 90mm x 300mm x 510mm
- min. worktop thickness: 30mm
- Connecting cable 100cm



EAN: 4251003106688

Special accessories:

Available colour variations:

Accessories:



Features:
 Type of appliance: Gas hob
 Type: Built-in
 Energy source: Gas
 Number of cooking zones that can be used simultaneously: 2
 Control elements: round control knobs
 Niche dimensions (mm): 45 x 280 x 490
 Unit width (mm): 300
 Dimensions (packed device mm): 166x 418 x 574
 Net weight (kg): 6,2
 Gross weight (kg): 7,2
 Residual heat display: None
 Control position: front
 Type of control: Knob control
 Main surface material: Glass
 Surface colour: Black
 Frame colour: Silver
 Approval certificates: IAPMO, SAA, CE
 Length of connecting cable (cm): 100
 Material control elements: metal
 Sealed hob: No
 Heaters with booster:
 Type of pot support: Cast iron

Consumption and connection values:
 Power consumption (W): 2
 Gas connected load (W): 4000
 Fuse protection (A): -
 Voltage (V): 220-240
 Frequency (Hz): 50 - 60
 Device colour: Stainless steel
 Energy source: Gas
 Type of gas: Natural gas G20 20mbar
 Alternative gas type: Liquid gas G20 10mbar OR G31 27.5mbar(For AU)
 Approval certificates: CE, IAPMO, SAA
 Minimum distance from counter front (in): 50mm
 Minimum distance from rear wall (in): 60mm