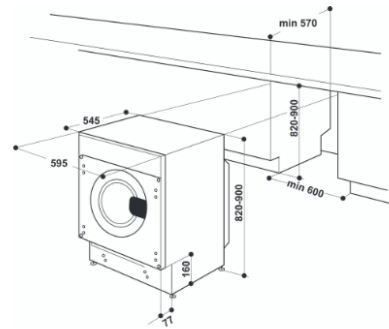


5WT6X00GB

Built In Washerdryer (7/5 kg) EAN: 4251003106015



TOP 4

- Optimized automatic quantity control detects the amount of laundry and adjusts the washing parameters accordingly
- Extremely durable and wear-resistant Inverter-Motor
- Steam-Option: Inhibits bad odors and creases at the end of the program with the natural power of steam
- Drum movements matched to the selected program to protect the fibers

- Optimized automatic quantity control

detects the amount of laundry and adjusts the washing parameters accordingly

- Extremely durable and wear-resistant

Inverter-Motor

- Fiber protection through drum movements precisely matched to the selected program

- Water protection system

- Easily accessible Foreign object filter

- Energy optimized Basic Programs: Eco 40-60°, 20C°, Cotton, Wool, Spin & Drain, Mixed

- Time optimized Programs: Wash & Dry 90', Wash & Dry 45', Rapid 30'

- Special Color Programs: White

- Wash & Dry 45': in only 45 minutes your laundry is washed and dried

- Wash & Dry 90': ready in only 90 minutes

- Rapid 30' - this cycle lasts only 30 minutes, saving time and energy

- Steam-Option - Inhibits bad odors and creases through automatic drum movements and the addition of steam for up to 6 hours after the end of the cycle

- Colours 15°- protect colours by washing in cold water

Consumption Values

- 53 % of moisture contained in load
- Energy Efficiency Class (Wash) D
- Energy Efficiency Class (Wash/Dry) E
- Up to 7 kg capacity (washing) and 6 kg capacity (drying)
- Airborne acoustical noise emissions: 73 dB
- Airborne acoustical noise emission class: B
- Spin speed: 1351 U/min
- Spin-drying efficiency class: B
- Weighted energy consumption in kWh per 100 washing cycles: 69 kWh and 324 kWh (Wash/Dry cycles)
- Water Consumption of the eco programme in liters per cycle: 44 l and of the full wash and dry cycle in liters per cycle: 66 l
- Programmdauer "eco 40-60": 3:25 h

Connection and dimensions

- Protection: 10 Ampere, Voltage 220-240 / 50 Hz, 1,85 kW Connection Rating
- Length of electrical supply cord: 120 cm
- Gross weight 67 kg, Net weight 65 kg
- Dimensions packed(HxBxT): 89x64,5x59,5 cm
- Dimensions (HxBxT): 82x59,5x54,5 cm

Technical Data - Door hinge left