



5VF5X00EWE
Dishwasher
fully integratable 60cm

Performance, consumption

- Energy Efficiency Class: E
- Capacity: 13 place settings
- Not suitable for high installation
- Energy / water consumption: 0,95 kwh/ 12 l
- Noise: 46 (dB)
- Connected loads: 1900 Watt
- Voltage: 220-240 Volt

Equipment

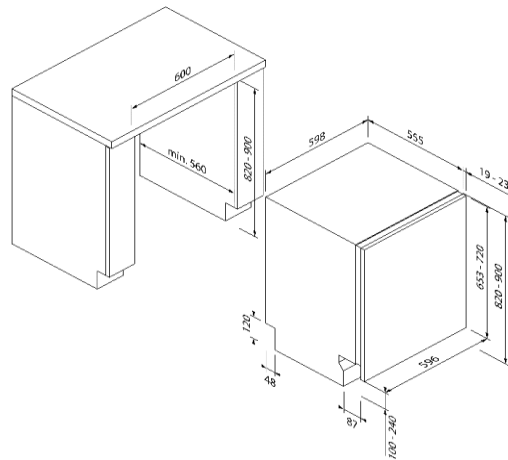
- 6 programs: Intensive 65°, Mixed 55°, Eco 50°, Rapid 30' 45°, Disinfecting 65°, Soaking
- Half filling quantity
- Active Dry
- Audible programm end signal
- Aquastop

Design, Comfort

- Control panel in the top of the inner door
- Digital Display
- Electrical time preselection 1-12 Stunden
- Electrical refill indicator for salt/rinse aid
- Height adjustable upper basket
- Folding spine rows in the upper basket
- Cutlery basket in the lower basket
- Stainless steel interior

Dimensions H x B x T

- Dimensions: 82,0 - 90,0 x 59,8 x 55,5 cm
- Niche dimensions: 82,0 -90,0 x 60,0 x 56,0 cm
- Dimensions (packed): 91,0 x 62,5 x 67,5 cm
- Net weight (kg): 32,1kg
- Gross weight (kg): 33,9kg



Special accessories:

Available colour variations:

Accessories:

- Salt Filler

Features:

- Typ of installation: built in
- Cleaning index: 1,13
- Dry index: 1,07
- Airborne sound emission class: C
- adjustable feet: 80mm
- Active Dry (door opens after drying automatically)
- Length of electrical supply cord: 130 cm
- Length of supply hose: 155 cm
- Length of drain hose: 150 cm
- max. water inlet temperature: 60°

Consumption and connection values:

- Comparison programm: Eco
- Comparison programm duration: 165 min
- Comparison programm water consumption: 12 l
- Noise (dB(A) re 1 pW): 46
- Typ of installation: fully integratable
- Fuse protection: 10 Ampere
- Voltage: 220- 240 Volt
- Frequency: 50 Hz