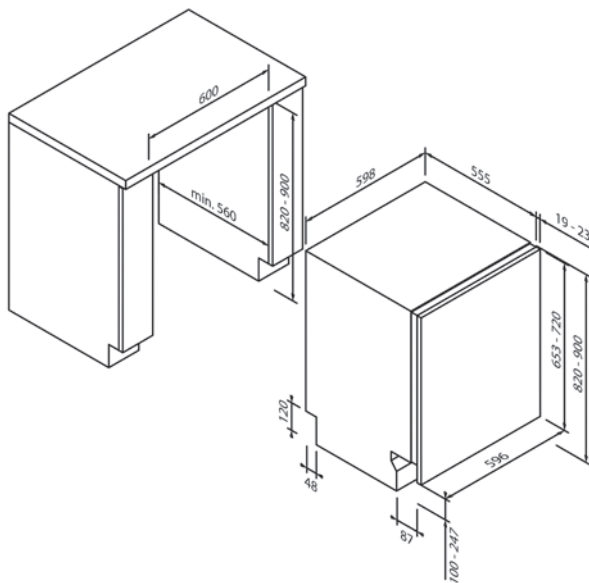




5VF4X00BKD

EG016400



Design	
Construction type	Fully integrated
High-mounting	•
Height (in cm)	82
Width (in cm)	60

Consumption data & functions	
Energy consumption kWh ¹	85
Water consumption (in litres) ²	9,5
Noise level (in dB A) re 1 pW	43
Number of washing programmes	10
Washing programme types	Eco 50 °C, Auto 50 °C – 60 °C, Intensive 65 °C, Hygiene, Quick 30, Fine
Special functions	Machine cleaning programme , Half load , Extra dry, Extra Speed

Operating comfort & equipment	
Operation	Programme selection button
Number of standard place settings	14
Interior lighting	–
Programme status display	•
Remaining time display	•
Start time preselection (in hours)	1-12
Optical operating display	Info Light
Acoustic program finish signal	•
Cutlery storage	Cutlery basket
Height-adjustable upper basket	•
Folding spikes in the upper basket / lower basket	– / 4
Aqua sensor / load sensor	• / •
Dosing assistant	•
Interior / Base	Stainless steel / Stainless steel
Water protection system	Aquastop
Drag hinge	–

Technical data	
Energy efficiency class	D
Connected load	1,9kW / 220-240 V
Fuse protection (in A)	10 A
Frequency (in Hz)	50 Hz
Plug type	Type F
Length of connection cable (in cm)	120 cm
Net weight (in KG)	35,5 kg
Gross weight (in KG)	37,5 kg
Dimensions of the packaged appliance (H x W x D)	91,0 x 62,5 x 67,5 cm
Appliance dimensions (H x W x D)	82,0 x 59,8 x 55,0 cm
Recess dimensions (H x W x D)	82,0-90,0 x 60,0 x 55,0 cm
EAN	4251003109092