



## **Instructions for installation and use**


Extractor hood  
**5IT99450**



# READ AND SAVE THESE INSTRUCTIONS MANUAL

## CONTENTS

TECHNICAL CHARACTERISTICS .....	1
BODY SIZE .....	1
MAIN PARTS NAME .....	2
INSTALLATION PEQUIREMENT.....	3
INSTALLATION PROCEDURES.....	4-6
OPERATING INSTRUCTION.....	7
MAINTENANCE.....	8
TO REPLACE LIGHT BULB.....	8
IMPORTANT SAFETY INSTRUCTIONS.....	9-10
TROUBLE SHOOTINGS.....	11

Please note that this product is marked with this symbol:   
According to Waste of Electrical and Electronic Equipment (WEEE) directive, WEEE should be separately collected and treated. If at any time in future you need to dispose of this product, Please do NOT dispose of this product with house hold waste. Please send this product to WEEE collecting points where available.

Dear consumer,

Thanks for your purchase of our cooker hood and we hope we can fully satisfy all of your needs. Please read entire instructions carefully before proceeding to obtain the best results of using the cooker hood.

## TECHNICAL CHARACTERISTICS

Total power: 196W

Motor power: 190W

LED Lights: 4x1.5W

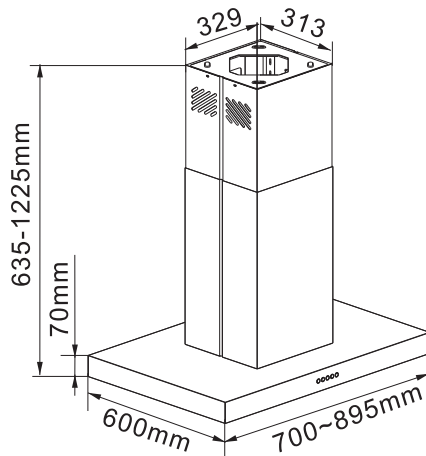
Voltage: 220–240V

Frequency: 50Hz

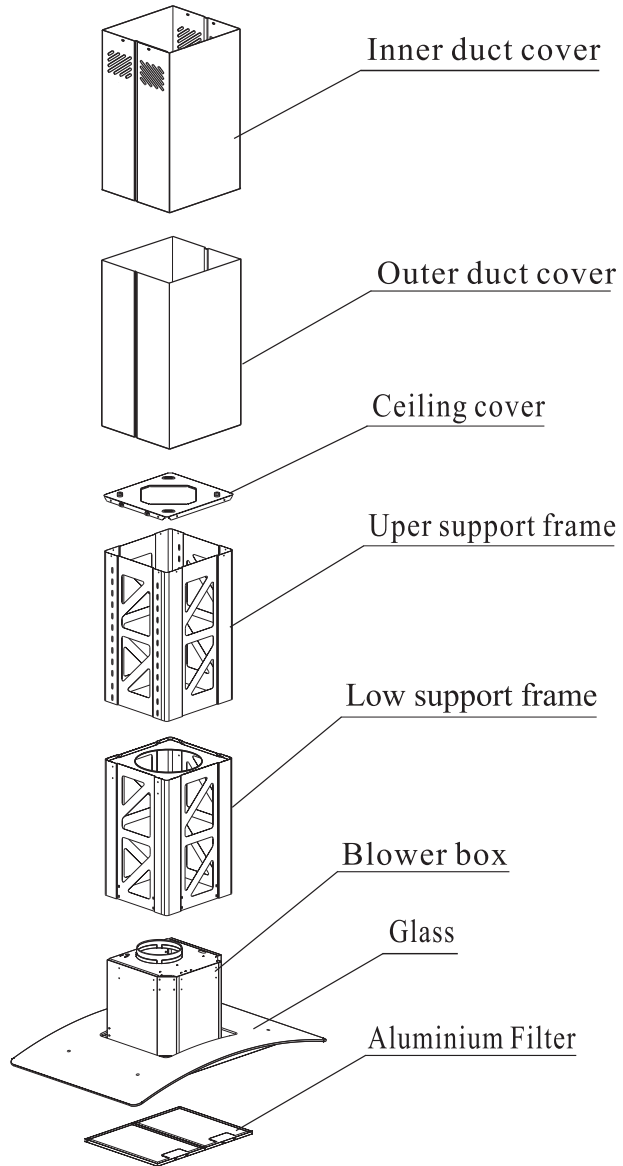
Aluminum filters:

Control: Soft touch control

## BODY SIZE

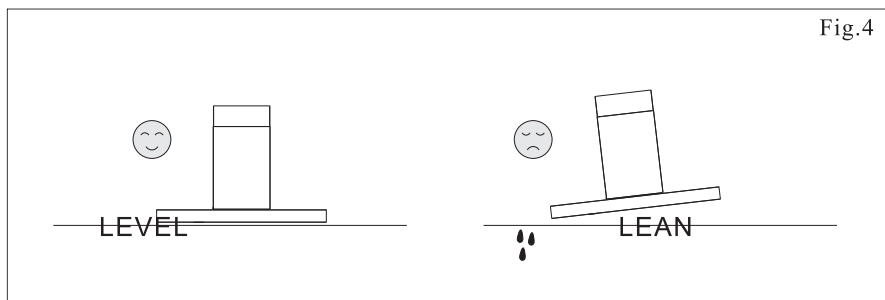
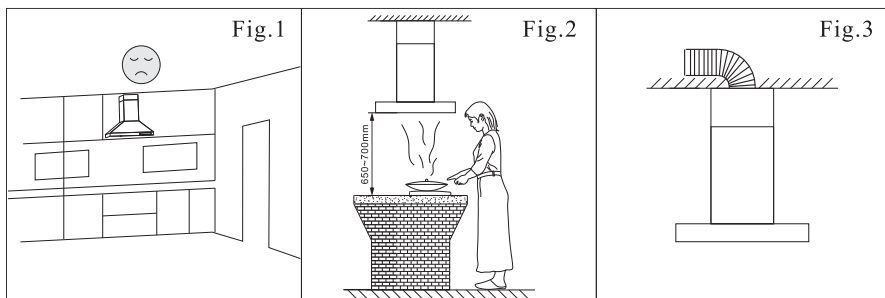


# MAIN PARTS NAME



## INSTALLATION REQUIREMENT

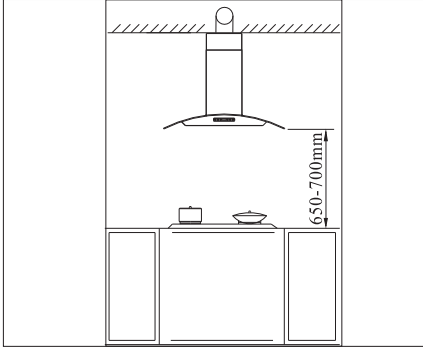
1. Do not install the cooker hood where there are many doors or windows in order to avoid affecting the exhaust efficiency of the hood caused by air convection. (Fig. 1)
2. Install the cooker hood right above the hob. The recommended distance between the hob and the lower edge of the cooker hood is minimum 650mm and maximum 700mm. (Fig. 2)
3. In order to get the optimum performance, do not elongate the exhaust pipe too long, and try to make the bend of exhaust pipe less and biggest, ensure the connection is airtight. (Fig. 3)
4. After hanging the unit on the wall, ensure the hood is level and vertical. (Fig. 4)
5. The air outlet must not be connected to chimney flues or combustion gas ducts. The air outlet must under no circumstances be connected to ventilation ducts for room in which fuel-burning appliances are installed.



# INSTALLATION PROCEDURES

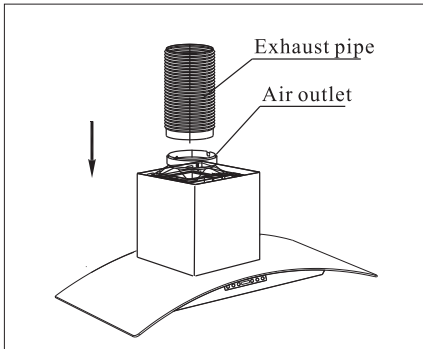
## SAFETY WARNING

*HOOD MAY HAVE VERY SHARP EDGES; PLEASE WEAR PROTECTIVE GLOVES IF IT IS NECESSARY TO REMOVE ANY PARTS FOR INSTALLING, CLEANING OR SERVICING.*



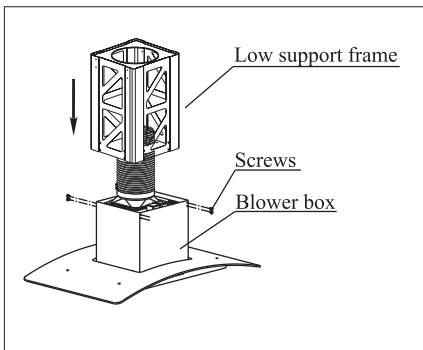
### Step 1:

Fix the position of the cooker hood in accordance with the recommended height between 650mm to 700mm from the hob and the lower edge of the hood.



### Step 2:

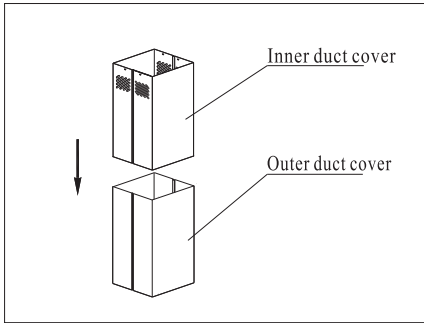
Take out of the cooker hood from the carton and put it on a horizontal work table gently. fix the exhaust pipe into the Air outlet, make sure is connected tightly.



### Step 3:

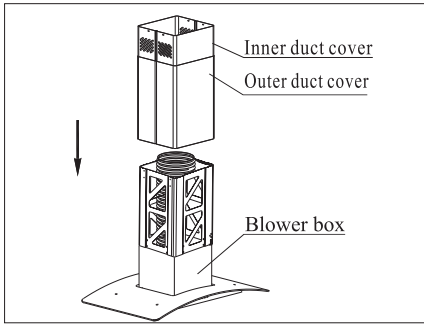
Aiming the Low support frame to the holes on the blower box, fix it tightly.

Then pull out the exhaust pipe to the level of the low support frame.



**Step 4:**

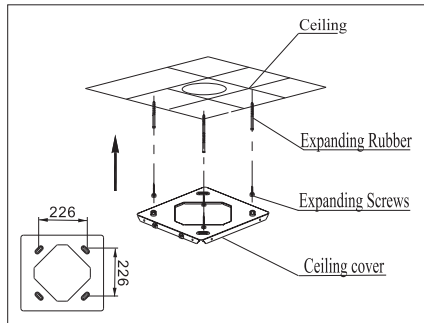
Insert the inner duct cover into the outer duct cover.



**Step 5:**

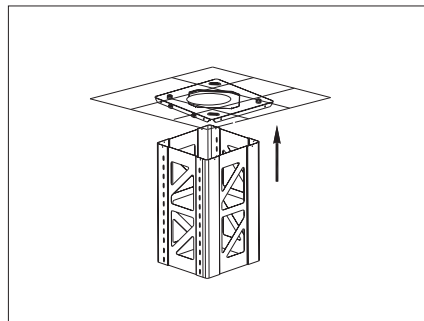
Put the inner duct cover and Outer duct cover on the Blower box.

Then pull out the exhaust pipe to the level of the Inner duct cover.



**Step6:**

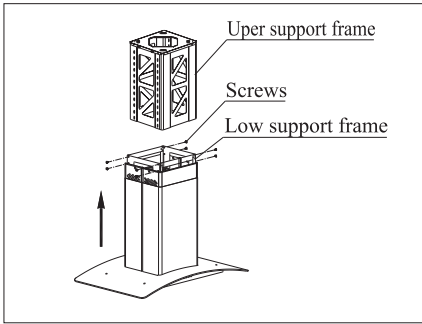
As per the screw positions on the Upper support frame, drill 4 holes (about  $\phi$  8 mm), then fill the Expanding Rubber into the holes. Aiming the holes on the ceiling, fix the ceiling cover with the Expanding screws tightly and make sure it is firm.



**Step 7:**

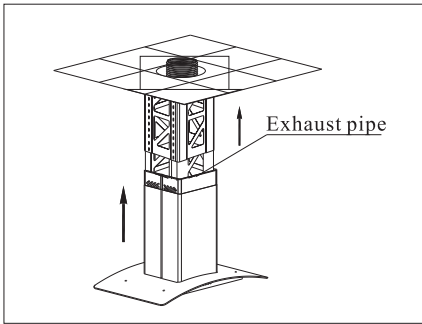
Put upper support frame under the ceiling cover. Use screws to fit the upper support to the ceiling cover.





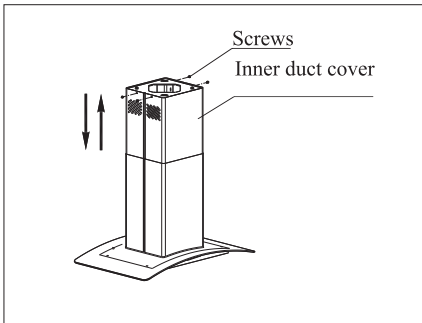
### Step 8:

Shift the complete cooker hood , to make the low support frame cover the Upper support frame. Adjust its height. Fix it tightly with 8 pcs M4x10 screws and make sure it is firm.



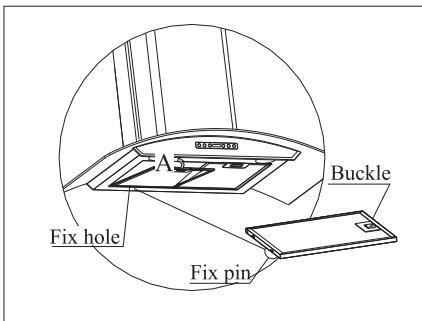
### Step 9:

Extend the air outlet of the exhaust pipe out-of-door. Try to make the bend of the exhaust pipe is more than  $120^{\circ}$  .



### Step 10:

Pull the inner duct cover to the ceiling, aiming the upper support frame , fix it with 4 pcs M4x10 screws.

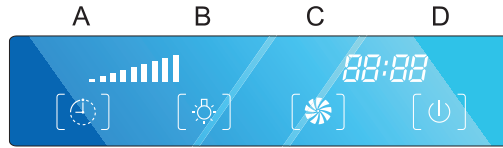


### Step 11:

Install grease filter. Match the fix pin to the fix hole and button the filter gently as the direction of arrow A.

# OPERATING INSTRUCTION

## 1. How to use the **Soft touch Control**



A: Timer

1. When the hood is working, touch this button one time, the hood will each one more time can add 1 minute, the longest time you can set is 60 minutes.

2. When the hood is non-working, touch this button 3 seconds, you can use “Lighting”and “Speed” button to set time like a clock, “Lighting” can set hour, “Speed” can set minute.

B: Lighting

Touch this button one time, the lamp will be lighted; Touch again, the lamp will extinguish.

C: Speed

Touch this button, the motor works in high speed, touch this button again, the middle speed runs; touch the button thrice, the low speed runs; the motor stops after touching it quartic.

D: On/Off

This general On/Off button, touch this button first before you touch other buttons; touch this button when the hood is working, the motor stops running, lights turn off.

## 2. How to use the **Touch Control**

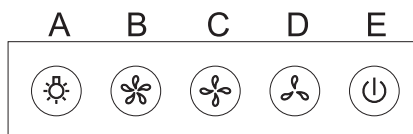
A: Press Button A once, turn on the light. Press it again, turn off the light.

B: Press button B, the fan runs at the boost speed.

C: Press button C, the fan runs at the middle speed.

D: Press button D, the fan runs at the low speed.

E: Press button E, the fan turns off.



## MAINTENANCE

*CAUTION: NEVER PUT YOUR HAND INTO THE HOUSING AREA WHILE THE FAN IS OPERATING.*

*FOR THE OPTIMAL LEVEL OF OPERATION, CLEAN THE RANGE HOOD SURFACE, FAN, AND ALUMINIUM FILTER REGULARLY.*

1. Use only mild soap or detergent solutions to clean the cooker hood surface. Dry surfaces using soft cloth.
2. Using a stainless steel cleaner to bring the glow back into a stainless steel finish.
3. Clean the aluminium filter once a week or according to use status.  
Press the buckle of the aluminium filter slightly, take off the aluminium filter and put it into warm soapy water using mild detergent, wipe the aluminium filter with soft brush. Replace the filter after it is dry.
4. Clean the motor fan and other inside parts once half year or according to use by QUALIFIED PERSON.
5. DO NOT cleaning motor with water or other liquid.

## TO REPLACE LIGHT BULB

*CAUTION: LAMP UNIT MAY BE HOT! WAIT UNTIL UNIT IS COOL. AND USE THE SAME TYPE LIGHT BULB!*

Make sure all control switches are off, and range hood is unplugged.

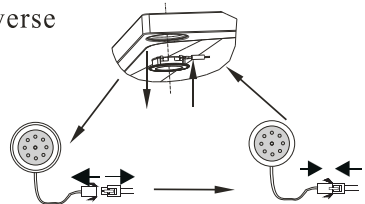
Pls follow below instructions:

Warning! Make sure the bulb has cooled before you touch it!

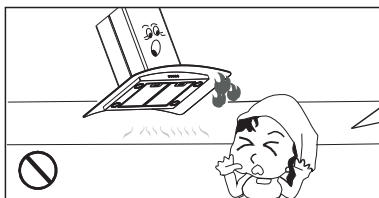
Caution: LED lamp can not replace a new bulb, just can replace a new LED Lamp.

Make sure all the control switches are off, and the cooker hood is unplugged! Please follow below instructions:

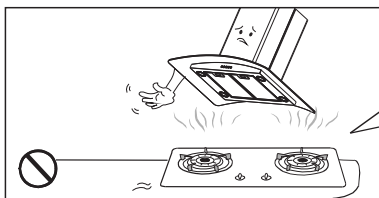
1. Take out the filters, and cut off the wire connection of the lamp.
2. Press the spring according to the arrow direction, then you can take off the lamp unit.
3. You can replace a new LED lamp unit no more than rating!
4. Then put the lamp unit to the hood in reverse direction. Connect the wire of the lamp.
5. Fit on the filters.



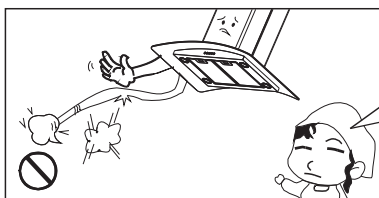
## IMPORTANT SAFETY INSTRUCTIONS:



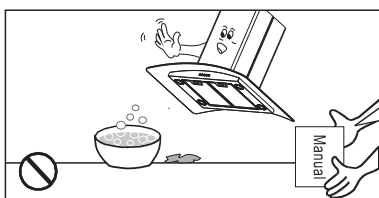
Do not connect the air outlet to chimney flues or combustion gas ducts.



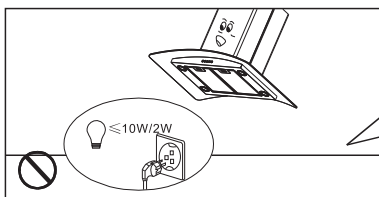
Do not leave naked flames under this hood



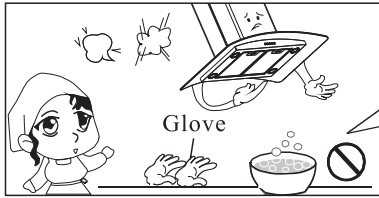
In case of any damage to power cable, replace the broken cable with a new one by qualified person.



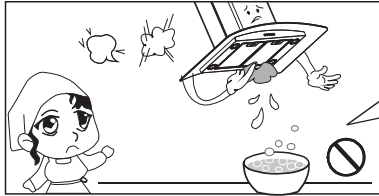
Do clean the hood correctly in accordance with instruction stated or it might cause the possibility of fire accident



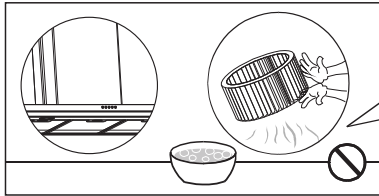
To replace the bulb should be undertaken by a qualified electrician or a competent person. Always use the halogen bulb no more than 10W or LED lamp no more than 2W.



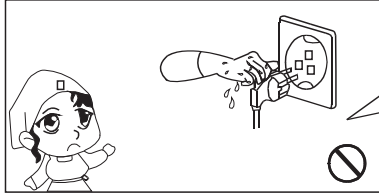
Dress the protective glove before you start to clean the hood. Remove the components gently during carrying out the clearance.



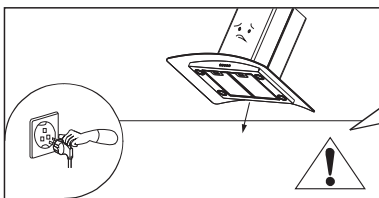
Never wash the control switch with water or other kind of liquid to avoid the liquid might cause electrical problem to the hood.



To clean the motor fan should be undertaken by a qualified person, pay top attention to avoid any distortion of the fan during carrying out the clearance.



Never pull the plug out of the power supply by wet hand to avoid the possibility of electric shock.



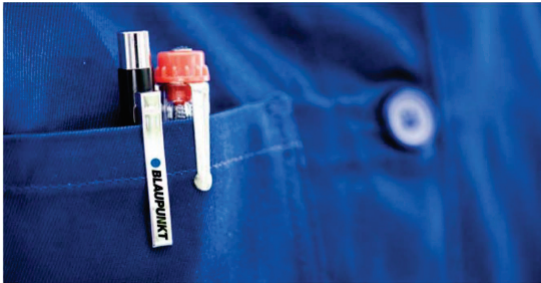
Disconnect the cooker hood from the power supply if this appliance will not be used for a long time.

## TROUBLE SHOOTINGS

**CAUTION:** Disconnect the power supply before servicing.

STATUS	CAUSE AND METHOD OF REPAIRING	TOOL
The power supply is damaged	If the power supply is damaged, please call the technicians to repair.	"+" type Screwdriver Sharp Pincers
The motor does not run	A) The motor was broken, replace a new motor assembly. B) The switch control was broken, replace a new motor assembly. C) The capacitance was broken, replace a new motor assembly.	"+" type Screwdriver
The unit body shake	A) The installation is not firm enough. Check it and make sure the hood is firm enough. B) The fan is broken, so it is not balance. Replace a new motor assembly. C) The motor does not firm enough. Check it and install it firmly enough.	"+" type Screwdriver
Big noise	A) Some other things drop to the blower. Check and clean it.	"+" type Screwdriver
Suction not so powerful	A) The distance from the range hood to the gas cooker is too big. Make sure the distance is about 650-700mm. B) There are many windows or doors in the kitchen, the air convection is too big. Close some doors or windows, smaller the air convection. C) There have some other pour wind to the exhaust pipe. Make the exhaust pipe's exit to downwards. D) The run rate of motor decrease obviously. Replace a new motor or capacitance. Because of the Range Hood is set upon the window, the best solution is that put one threeply board on the back of the Range Hood for covering the hollow of window.	"+" type Screwdriver
Bulb does not work	Replace with a new LED lamp assembly.	"+" type Screwdriver

## Service



**Blaupunkt integrated kitchen  
appliances/customer services:**

**Tel: 180 2092096**

**customer\_service@hepoindia.com**

You have chosen a piece of premium kitchen equipment with Blaupunkt appliances. Our professional service is available to assist you after the purchase. Our qualified employees are pleased to remain at your disposal. Our customer service experts for Blaupunkt integrated kitchen appliances will professionally answer all questions about the appliances. Here you will receive all the information on handling, functions and performance.



**Your direct route to Blaupunkt.**  
**[www.blaupunkt-einbaugeräte.com](http://www.blaupunkt-einbaugeräte.com)**



### **Convincing quality with Blaupunkt guarantee.**

Blaupunkt kitchen appliances are exclusively produced from the best materials and according to the highest working standards. Blaupunkt provides a two-year manufacturer's guarantee on every appliance and every repair carried out by the Integrated kitchen appliances customer service.



### **More original: Accessories and spare parts.**

Original spare parts, extensive accessories and tested detergents and care products can be bought from our competent employees.



**In your vicinity - and fast. Our specialists from Blaupunkt.** With a nationwide service network and approximately 700 highly qualified technicians, we can guarantee that our specialists are always quickly on location in case of repair. The standard time is within 48 hours.

